



PEA-RP500GA

Standard Inverter Heat Pump

R410A Large Capacity Ceiling Concealed Ducted System

The Standard Inverter range provides inverter solutions for customers who want all the benefits that inverters offer, but do not have the budget available for the more expensive Power Inverter range.

- **Two outdoor units are required for this system**
- **Static pressure of up to 150Pa**



Pictures not to scale

Product Details

PEA-RP500GA Indoor Unit

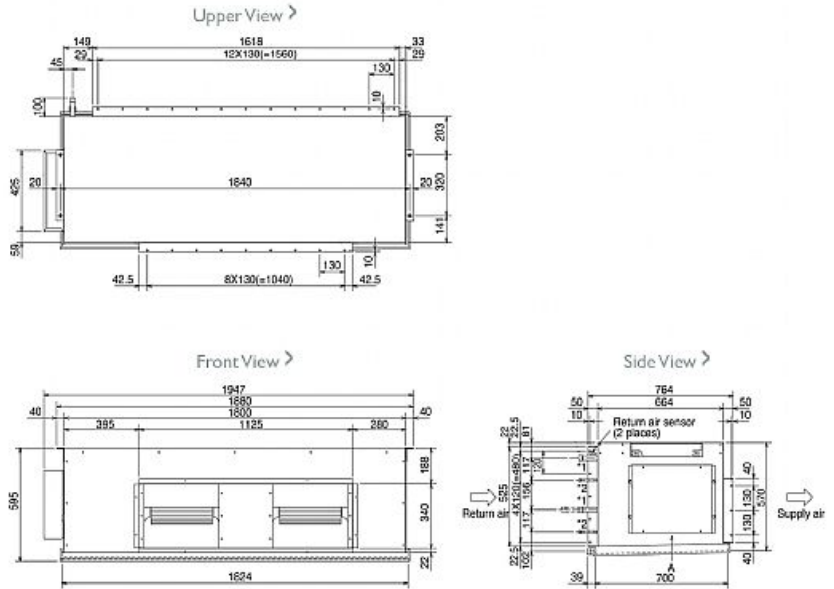
Capacity (kW):	
Heating (Nominal) (Low - High)	54.00 (25.00 - 63.00)
Cooling (Nominal) (Low - High)	44.00 (22.40 - 56.00)
Heating (UK) (Low - High)	45.90 (21.25 - 53.55)
Cooling (UK) (Low - High)	40.50 (20.60 - 51.50)
SHF R410A (Nominal)	0.77
Width - mm	1947
Depth - mm	764
Height - mm	595
Weight - kg	133
Airflow (m3/min)	160
External Static Pressure Pa	150
Noise (dBA)	53
Pipe Size Gas mm (in)	28.58 (1 1/8)
Pipe Size Liquid mm (in)	12.7 (1/2)
Electrical Supply	380-415v, 50Hz
Phase	3
Fuse Rating (BS88) - HRC (A)	10
Interconnecting Cable No. Cores	3
Remote Controller Ref	PAR-21MAA

PUHZ-P250YHA Outdoor Unit

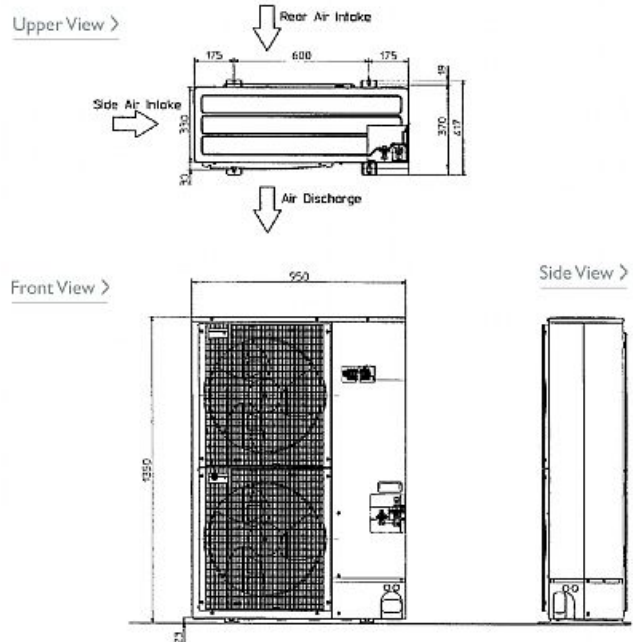
Width - mm	950
Depth - mm	330 + 30
Height - mm	1350
Weight - kg	133
Noise (dBA) (Heating /Cooling) - Lo-Hi	59-59 /59-59
Electrical Supply	380-415v, 50Hz
Phase	3
Fuse Rating (BS88) - HRC (A)	32
Mains Cable No. Cores	5
Max Pipe Length (m)	70
Max Height Difference (m)	30
Charge R410A (kg) - 30m	7.1

Dimensions

PEA-RP500GA



PUHZ-P250YHA



Telephone: 01707 282880

Email: air.conditioning@meuk.mee.com Website: <http://www.mitsubishielectric.co.uk/aircon>

Mitsubishi Electric reserves the right to make any variation in technical specification to the equipment described, or to withdraw or replace products without prior notification or public announcement.

Tel:
Fax:

